

Responding to Various Needs by Advanced Technology

# KOSHIN

# GEAR PUMPS

GB·GC SERIES

**High lifting capacity and  
increased pressure.  
Simple mechanism. Compact and light.**



### GB·GC SERIES

Model GB : For water, salt water, weak acids  
and various chemicals, etc.

Model GC : For kerosene, light oil, machine  
oil, heavy oil, etc.

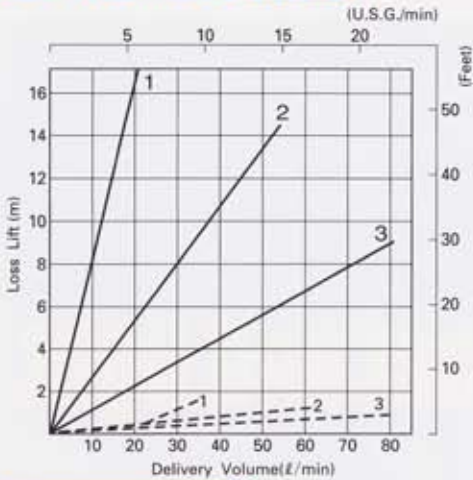


ORIENTAL KOSHIN

## KOSHIN LTD.



### Performance curve



\* Solid lines show 800 centistokes viscosity at 0°C, B-Crude.

\* Dotted lines show water curve.

(1) Dia. 1/2 in. pipe

(2) Dia. 3/4 in. pipe

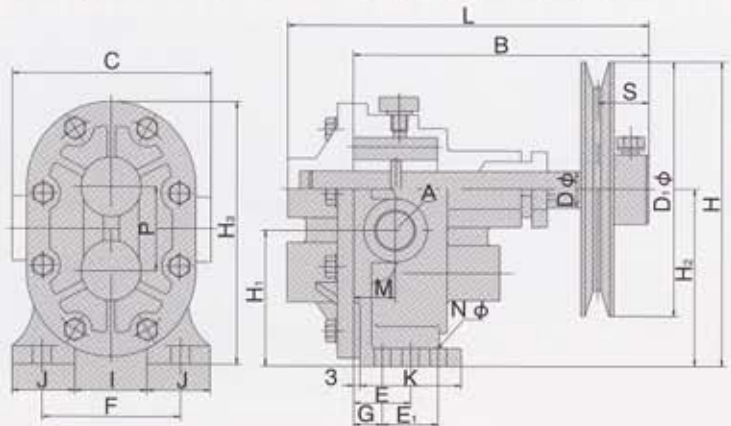
(3) Dia. 1 in. pipe

Since losses of lift mean pressure loss per 1 m. pipe, for 5m. pipe the value will be 5 times.

if liquids with a viscosity of more than 1000 centistokes is being pumped, use a suction pipe of the minimum length and/or operate the pump at less than 400 rpm, and Suction pipe must be 1 or 2 sizes larger than standard size.

### Applications

These pumps can be used for a variety of industrial and agricultural jobs including pumping A-crude, B-crude, oil, urine fluids and fertilizer, water drainage, laver collection, moving boiling oil, millet jelly, coaltar, etc.



### External Dimensions

Model	A	L	B	C	D	D1	H	H1	H2	H3	F	J	I	K	E	G	E1	N	M	P	S	Pulley
GC-13·GB-13	PS <sup>1</sup> / <sub>2</sub>	181	148	100	18	127	151	67	88	130	70	32	36	51	33	—	—	9	21	41	25	A1
GC-20·GB-20	PS <sup>3</sup> / <sub>4</sub>	201	165	130	20	152	179	78	103	153	97	36	58	60	—	23	28	9	25	50	25	A1
GC-25·GB-25	PS1	247	204	142	22	203	230	91	129	191	114	38	65	75	—	30	34	10	33	63	24	A1

### Specifications

Model	Gear Material	Connection Dia.	Delivery Volume			Delivery Pressure	Siphoning Factor	Power	Pulley	Weight
			200rpm	400rpm	600rpm					
GC-13	Cast iron	13m/m(1 1/2")	10 ℓ/min	21 ℓ/min	32 ℓ/min	1~3kgf/cm <sup>2</sup>	4m 10Ft	200W	125×A1	5kg
GB-13	Brass									
GC-20	Cast iron	20m/m(1 3/4")	18 ℓ/min	37 ℓ/min	56 ℓ/min			750W	200×A1	10kg
GB-20	Brass									
GC-25	Cast iron	25m/m(1")	27 ℓ/min	55 ℓ/min	83 ℓ/min					
GB-25	Brass									

Responding to Various Needs by Advanced Technology

# KOSHIN

## GEAR PUMPS

Kerosene, heavy oil class-A/B, lubrication oil

# Best suited to force-feed fuel to marine engine and for engine lubrication.



GL-25-5



### KOSHIN LTD.



Same accuracy as high performance hydraulic pump.  
 Most suitable for marine FO, LO  
 Low rotating noise guaranteed



GL-40



GL-50

### Features

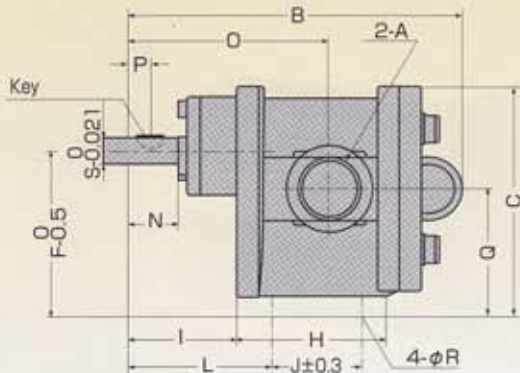
- This high quality pump is applicable for a wide range of activities from low viscosity oil such as kerosene, light oil, etc. to medium/high-viscosity oil.
- Since the pump has a bypass valve built-in and is equipped with relief function, It is very safe.

### Specification

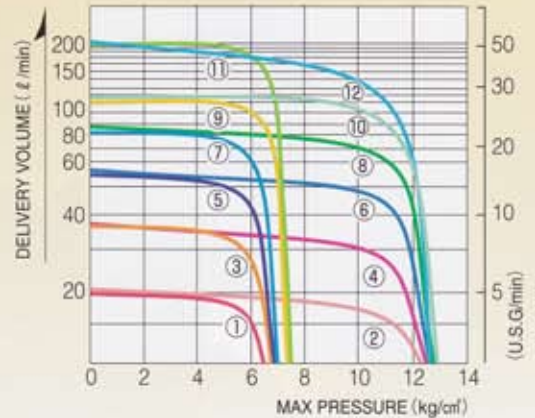
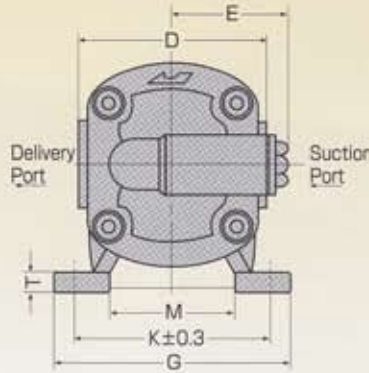
Pump	Curve No	Power	Connection Dia	Max Pressure	Delivery volume		Coupling	Pump Shaft Dia
					60Hz (1720rpm)	50Hz (1450rpm)		
GL-13-5	①	0.4kw4p 200V 3phase	PS13m/m (1/2")	0.5MPa	20 ℓ /min	17 ℓ /min	ZDC	φ18m/m
GL-13-10	②	0.75kw4p 200V 3phase		1MPa	5.3U.S.G/min	4.5U.S.G/min		
GL-20-5	③	0.75kw4p 200V 3phase	PS20m/m (3/4")	0.5MPa	35 ℓ /min	29 ℓ /min		
GL-20-10	④	1.5kw4p 200V 3phase		1MPa	9.2U.S.G/min	7.7U.S.G/min		
GL-25-5	⑤	1.5kw4p 200V 3phase	PS25m/m (1")	0.5MPa	55 ℓ /min	46 ℓ /min		
GL-25-10	⑥	2.2kw4p 200V 3phase		1MPa	14.5U.S.G/min	12.1U.S.G/min		
GL-32-5	⑦	3.7kw4p 200V 3phase	PS32m/m (1 1/4")	0.5MPa	85 ℓ /min	71 ℓ /min	JIS	φ22m/m
GL-32-10	⑧	2.2kw6p 200V 3phase		1MPa	22.4U.S.G/min	18.7U.S.G/min		
GL-40-5	⑨	3.7kw4p 200V 3phase	PS40m/m (1 1/2")	0.5MPa	123 ℓ /min	100 ℓ /min		
GL-40-10	⑩	5.5kw6p 200V 3phase		1MPa	32.5U.S.G/min (1180rpm)	26.4U.S.G/min (960rpm)		
GL-50-5	⑪	3.7kw6p 200V 3phase	PS50m/m (2")	0.5MPa	200 ℓ /min	165 ℓ /min		
GL-50-10	⑫	7.5kw6p 200V 3phase		1MPa	52.8U.S.G/min (1160rpm)	43.6U.S.G/min (940rpm)		

\*For the purpose of improvement, specifications are subject to change without prior notice.

### Dimension



### Performance Curve



TYPE	A	B	C	D	E	F	G	H	I	J	K	L	M	N	O	P	Q	R	S	T	U
GL-13-□	PS1/2	189	131	108	64.5	95	138	73	71	40	116	87	58	30	113	15	75	11	18	12	4x19
GL-20-□	PS3/4	196	131	108	64.5	95	138	73	71	40	116	87	58	30	117	15	75	11	18	12	4x19
GL-25-□	PS1	208	131	108	64.5	95	138	73	71	40	116	87	58	30	122	15	75	11	18	12	3x19
GL-32-□	PS1 1/4	222	131	108	64.5	95	138	73	71	40	116	87	58	30	130	15	75	11	18	12	4x19
GL-40-□	PS1 1/2	265	189	148	89.5	136	184	112	86	70	156	111	100	40	158	19	106	11	22	16	5x22
GL-50-□	PS2	290	189	148	89.5	136	184	112	86	70	156	111	100	40	170	19	106	11	22	16	5x22